



HOLLAND EQUIPMENT COMPANY

"WORKING HARDER FOR YOU"

MANUFACTURER AND DISTRIBUTOR OF CONSTRUCTION, MINING, MUNICIPAL,
INDUSTRIAL, COMPOSTING, RECYCLING, TRUCK EQUIPMENT AND SNOW & ICE CONTROL PRODUCTS
2870 WEST 2100 SOUTH, SALT LAKE CITY, UTAH 84119/ 801-972-1601- 800-234-8611- FAX 801-972-6730

www.hollandeq.com

Jensen Snowplow

Owner Operation and Parts Manual

***Jensen* Snowplow**

Warning and Safety Precautions

WARNING: INJURY AND OR DAMAGE MAY RESULT FROM FAILURE TO FOLLOW SAFETY PRECAUTIONS.

When working on snowplows, it is important to use common sense and avoid hazardous practices or situations. Some of these include:

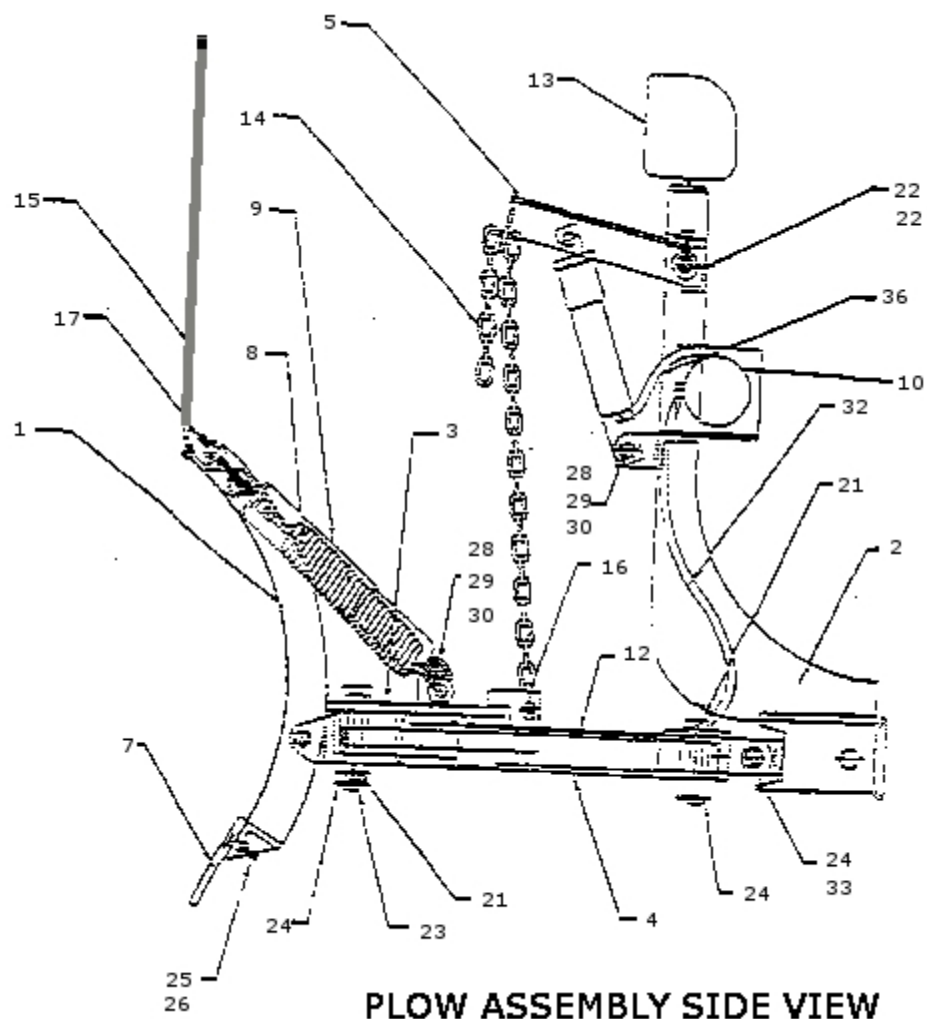
- 1) PERSONS WHO INSTALL, MOUNT, OPERATE OR SERVICE THIS EQUIPMENT MUST BE PROPERLY INSTRUCTED AND WARNED OF THE HAZARDS ASSOCIATED THERE WITH.
- 2) DO NOT PLACE ANY PART OF YOUR BODY UNDER A RAISED BLADE.
- 3) READ OPERATORS MANUAL COMPLETELY BEFORE OPERATING THIS EQUIPMENT. READ ALL DECAL INSTRUCTIONS, CAUTIONS AND WARNINGS.
- 4) IF YOU MUST RAISE THE BLADE TO WORK ON THE PLOW, BLOCK UP THE BLADE TO KEEP IT FROM FALLING.
- 5) IF WELDING MUST BE PERFORMED ON THE PLOW, REMOVE THE PLOW FROM VEHICLE.
- 6) ALWAYS WEAR PROPER EYE PROTECTION WHEN WORKING ON THE PLOW.
- 7) AVOID PINCH POINTS THAT CAN CAUSE INJURY.
- 8) ADJUST FLOW CONTROL VALVE ONLY WITH PLOW IN DOWN POSITION AND AFTER READING OWNERS MANUAL.
- 9) INSPECT DAILY ALL PLOW MECHANICAL AND ELECTRICAL CONNECTION POINTS FOR PROPER ATTACHMENT AND WEAR. CHECK SNOWPLOW TO INSURE THAT ALL PARTS ARE IN PLACE, BOLTS ARE TIGHT AND FLUIDS ARE AT THE PROPER LEVEL.
- 10) ALWAYS PLOW AT A SAFE SPEED THAT'S REASONABLE AND PRUDENT- DEPENDING ON TERRAIN AND SNOW CONDITIONS. PLOWING ABRUPTLY INTO HEAVY AND WET SNOW CAN CAUSE LOSS OF VEHICLE CONTROL.
- 11) THE SNOWPLOW HAS A GREAT DEAL OF POWER, AND ACCORDINGLY CAN BE HAZARDOUS WHEN IN OPERATION.
- 12) THE SNOWPLOW SHOULD NOT BE OPERATED WITH PEOPLE STANDING OR WORKING WITHIN THE AREA YOU ARE TO BE PLOWING.
- 13) PLOW IS NOT TO BE USED FOR STACKING SNOW. DAMAGE AND INJURY COULD RESULT.
- 14) USE CARE WHEN MOUNTING OR DISMOUNTING THE SNOWPLOW.
- 15) FAILURE TO FOLLOW ABOVE PRECAUTIONS AND OWNERS MANUAL INSTRUCTIONS MAY CAUSE SERIOUS INJURY AND VOID WARRANTY

Mounting Snowplow

1. Move vehicle near the snowplow.
2. Verify that mounting pins are in the open position.
3. Verify that the receiver tubes are at the correct height, raise or lower with jack to make corrections as needed.
4. Pull vehicle in to the snowplow.
5. Place control in the down position.
6. Connect the two (2) electrical connections.
7. Swing mounting pins into the lock position and attach safety pin.
8. Remove pin on stand leg, lift leg, and reinstall pin.
9. Remove jack and store.

Dismount Snowplow

1. Put controls in the down position.
2. Pull on chain to lower the lift cylinder.
3. Remove pin on stand leg, lower leg, and reinstall pin.
4. Put jack on receiver, insert pin and crank jack down to take the weight of the plow.
5. Remove safety pin, swing mounting pins to the unlock position.
6. Disconnect the two (2) electrical connections.
7. Slowly back the truck away from plow.

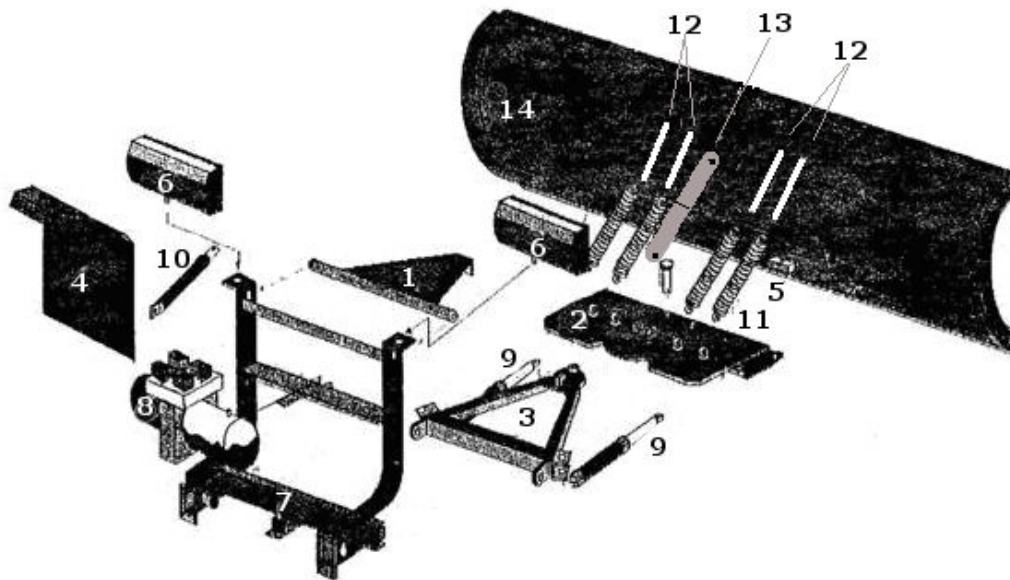


PARTS LIST

<i>Item Number</i>	<i>Number Required</i>	<i>Description</i>	<i>Part Number</i>
1	1	Moldboard assembly	7525MB
2	1	Plow hitch assembly	SPH
3	1	Circle frame assembly	SPCF
4	1	Thrust box	SPTB
5	1	Lift arm assembly	SPLA
7	1	$\frac{1}{2}$ x 6 x 78 or 84, 90, 96, 102, 108 Edge	A-126xx
8	4	Trip Springs	1302010
9	1	Shock absorber	2170
10	1	Hydraulic Pump	PU3593
11	1	Lift cylinder	1304210
12	2	Reversing cylinder	1304205
13	1	Light kit w/signals & headlights	80888
14	1	Lift chain	SPLC
15	1	Pair, end markers	1308005
16	1	Chain shackle	G21338
17	4	Eye bolts w/nuts & washers	1302005
21	2	Pin, front	13202
22	2	Lift arm bolts	58212GR8
23	1	Center pivot pin	13200
24	7	Cotter key	CK516X2
25	Varies	$\frac{1}{2}$ " Plow bolt	122PB
26	Varies	$\frac{1}{2}$ " Hex nut	12NT
28	4	$\frac{5}{8}$ " Hex bolt	584GR8
29	4	$\frac{5}{8}$ " Hex nut	58SNT
30	4	$\frac{5}{8}$ " Flat washer	58WASHER
31	1	Lift hose	H14X19
32	1	Reverse hose, right	H14X30
32	1	Reverse hose, left	H14X36
33	4	Pin	13201
36	1	Pump cover	SP98PC

PLOW ASSEMBLY TOP VIEW

1) LIFT ARM	8) PUMP
2) CIRCLE FRAME	9) REVERSING CYLINDERS
3) THRUST BOX	10) LIFT CYLINDER
4) PUMP COVER	11) TRIP SPRINGS
5) RUBBER BUMPERS	12) EYE BOLTS
6) LIGHTS	13) SHOCK ABSORBER
7) HITCH	14) MOLDBOARD



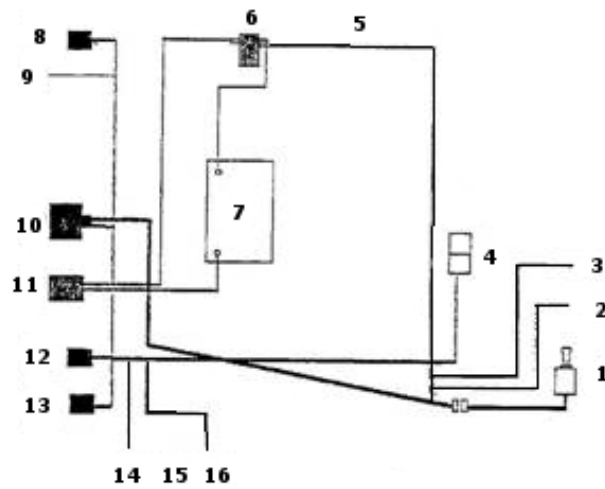
Jensen Snowplow **Truck Side Wiring Parts List**

DESCRIPTION	NUMBER REQUIRED	PART NUMBER
Truck side wiring harness	1	SP596WH
Solenoid	1	RS129000
Relay	1	03427
Control		
1. Joy stick w/box & stand	1	MEY22092 & JSB
2. Rocker switch	1	63390
Tap splices	4	6BNR000
Fuse taps (large & small)	4	60AFBOES
Power cable	1	SPPC
Self tap screws	8	WJPT15

Plow Side Wiring Parts List

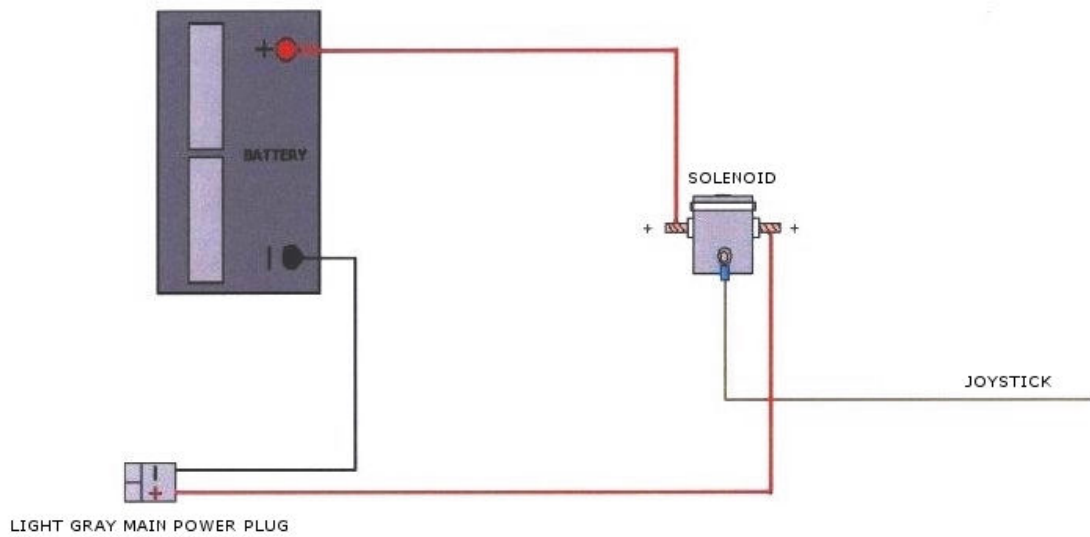
DESCRIPTION	NUMBER REQUIRED	PART NUMBER
Plow side wiring harness	1	SPS96WP

WIRING HARNESS LAYOUT

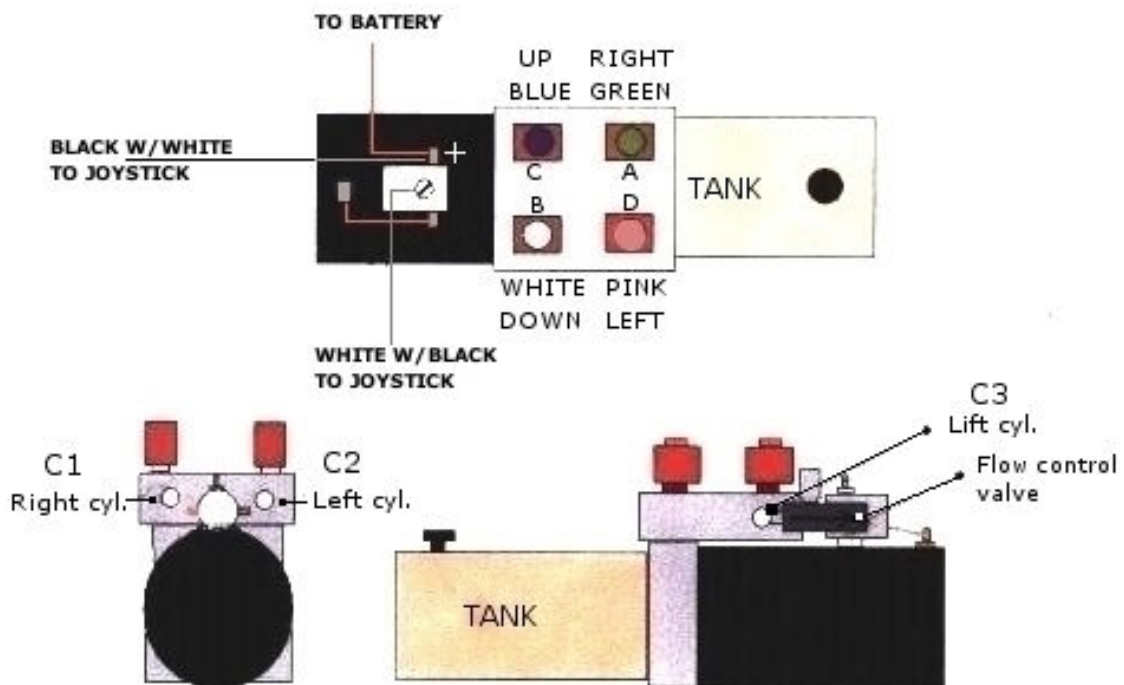


Front of Truck

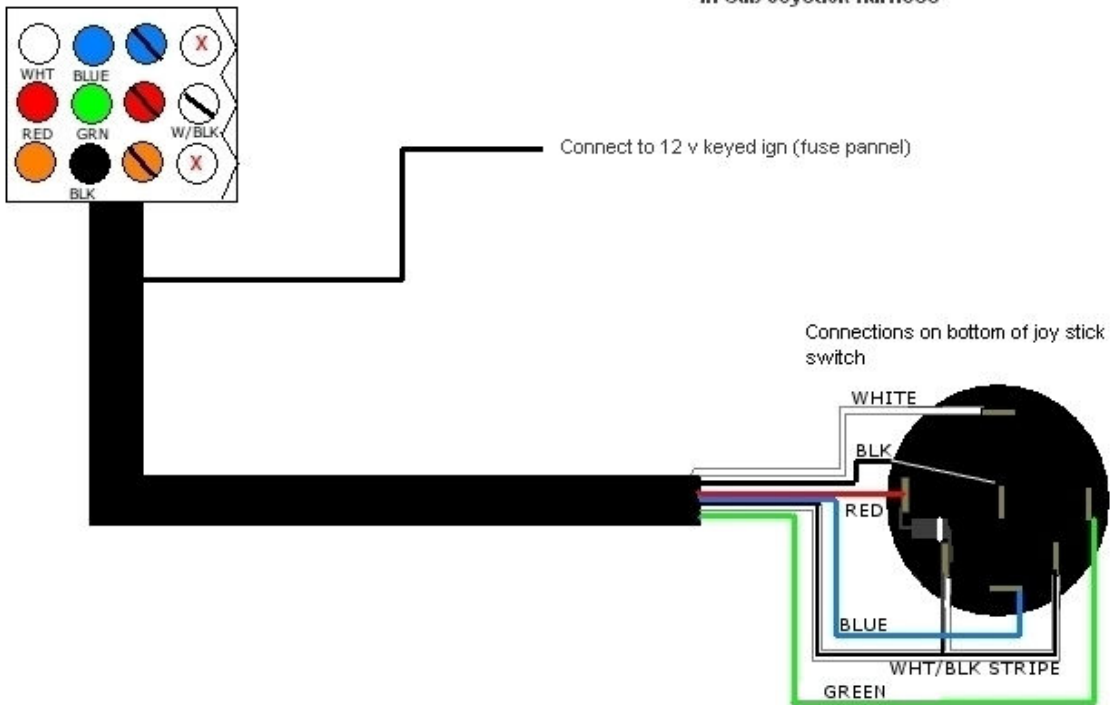
- 1) Joy Stick
- 2) Power wire for lights
- 3) Power wire for joystick
- 4) Head light relays
- 5) Switched power to activate solenoid
- 6) Power solenoid
- 7) Battery
- 8) Truck light output
- 9) Right blinker input
- 10) 12-pin plow control plug
- 11) Main power plug
- 12) Female connector
- 13) Male connector
- 14) Left blinker input
- 15) Park lights
- 16) Ground



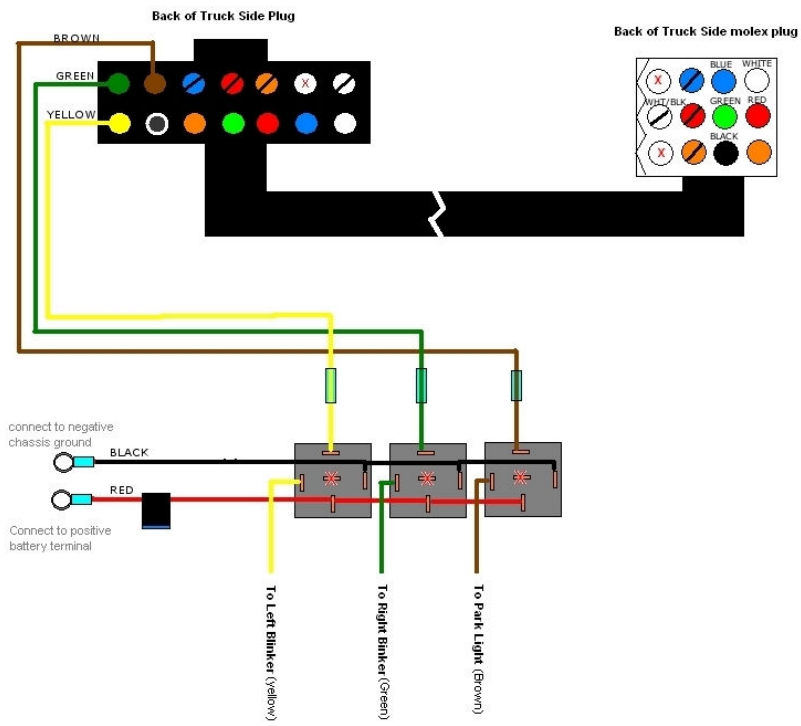
POWER SOLENOID WIRING



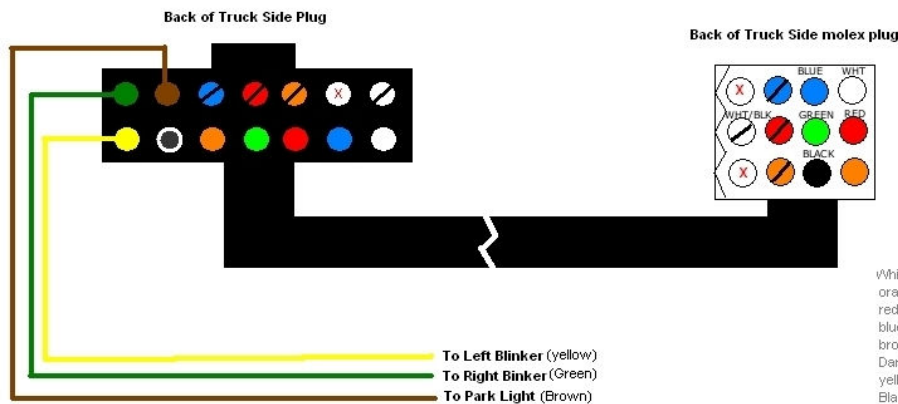
In Cab Joystick Harness



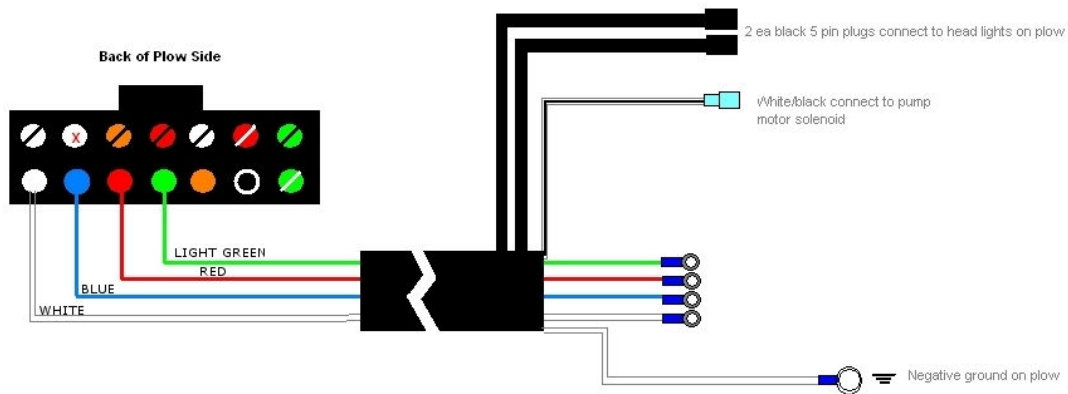
Harness with relays



Harness



White with black wire is the solenoid activation wire
orange with black is the power lead for the head light switch
red with black supplies power to the low beam head light
blue with black supplies power to the high beam head light
brown attaches to the park light on the vehicle
Dark green attaches to the right turn signal on the vehicle
yellow attaches to the left turn signal on the vehicle
Black wire is for v-plow only (not used)
orange wire is for v-plow only (not used)
green attaches to the right turn function coil valve
red attaches to the left turn function coil valve
blue attaches to the lower function coil valve
white attaches to the raise function coil valve



WARRANTY

Holland Equipment Co. warrants all new *JENSEN* SNOWPLOWS manufactured by the company according to the terms as set out below. EXCLUDES ANY IMPLIED WARRANTY OF MERCHANTABILITY OR FITNESS FOR ANY PARTICULAR PURPOSE, and there are no warranties that extend beyond the description on the face of this warranty.

Should any *JENSEN* product prove defective in material or workmanship, under normal service and use, within a period of one year from date of shipping to the original purchaser, Holland Equipment Co., shall, if the equipment was properly set up, adjusted, used and operated by a competent person, replace those parts at Salt Lake City, Utah, which on inspection by the company appear to have be defective in workmanship or material.

Freight or other transportation costs to and from the factory authorized service center to be paid by the purchaser.

Holland Equipment Co. will not assume any charges for repairs made by anyone other than Holland Equipment Co. or its authorized service center. This warranty will be effective only if Holland Equipment Co. received written notice of the equipment's defect or failure to perform within thirty (30) days of the expiration of the one (1) year warranty period. This warranty does not cover parts or accessory sold by Holland Equipment Co. but produced by other manufacturers: Such merchandise being guaranteed solely by the manufacturers of such parts or accessories.

This Warranty shall be void where equipment has been subject to misuse, neglect, alteration or accident, or where repair parts other than genuine Holland Equipment Co. repair parts have been used.

Holland Equipment Co. obligations under this warranty shall be suspended during any period in which it is prevented from fulfilling its obligations by forces beyond its control such as lack of supply, labor disputes, "Acts of God" and transportation inadequacies. Damage for breach of this Warranty shall be limited to replacement of the defective parts as set out herein and shall not include consequential damages for injuries to persons or property or loss of profits occasioned by such defects. No representative or other person is authorized or permitted to make any warranty or assume for Holland Equipment Co. any liability not strictly according to the foregoing.

This Warranty shall extend only to the original purchaser of the equipment from Holland Equipment Co. or its authorized distributor.