

# Trench Shields

Speed Shore offers the most advanced line of trench shielding products available. Built to last, these shields are designed and certified by Registered Professional Engineers to optimize strength-to-weight ratios while maintaining minimal sidewall thickness.

Standard shields are available with 3" to 8" thick walls in a full array of heights and lengths. The comprehensive line of trench shields includes economical Single-Wall Shields for less extreme lateral pressures, specially designed Manhole Shields, and the popular heavy-duty Double-Wall Shields. Complete custom capabilities are also available to analyze and optimize shields to your specific needs.

Unique Speed Shore features include: replaceable push blocks to protect the integrity of the structure, high-tensile steel reinforcement plates for added strength in critical spreader socket areas, and a variety of industry options that are included as Speed Shore *standard features*. Such features make Speed Shore trench shields the *preferred choice* for maximum productivity and safety in the trenches.

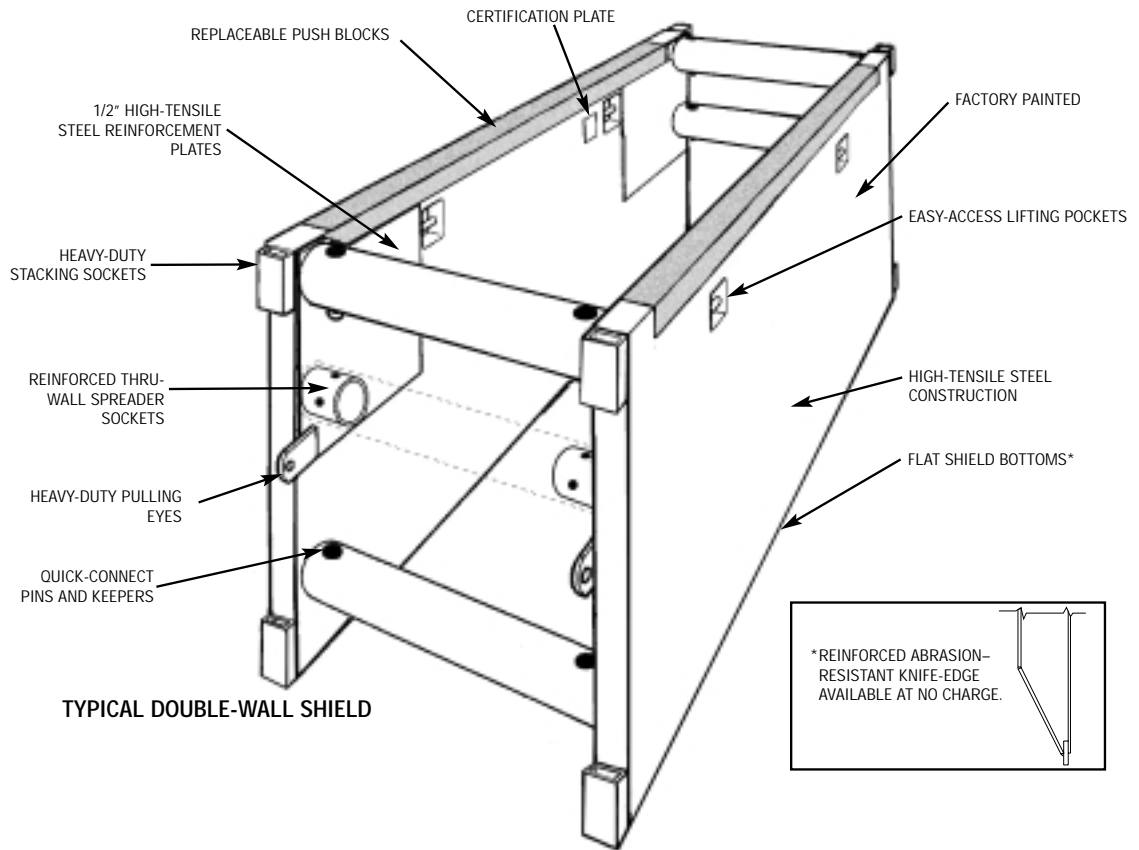


## Speed Shore Shields Optimize Safety and Productivity.

- **Replaceable Push Blocks**  
protect your structure when pushing the shield to grade. Damaged sections are readily replaced with *no modification to shield structure*.
- **1/2" Steel Reinforcement Plates**  
for added strength and puncture resistance in critical spreader socket areas.
- **5 Spreader Sockets**  
(standard on most Double-Wall Shields) for optimum versatility in spreader placement.
- **Heavy-Duty Stacking Sockets**  
assure proper alignment of stacked shields.
- **Thru-Wall Spreader Sockets**  
penetrate end vertical supports for added strength and durability.
- **Easy-Access Lifting Pockets**  
for ease of handling.
- **Certification Plate**  
for quick reference to shield size, serial number and P.E.-Certified capacity.

**SPEED**  **SHORE**<sup>®</sup>  
PIONEERING TRENCH SAFETY

# Trench Shield Features



# Double-Wall Trench Shields

## 4" Double-Wall

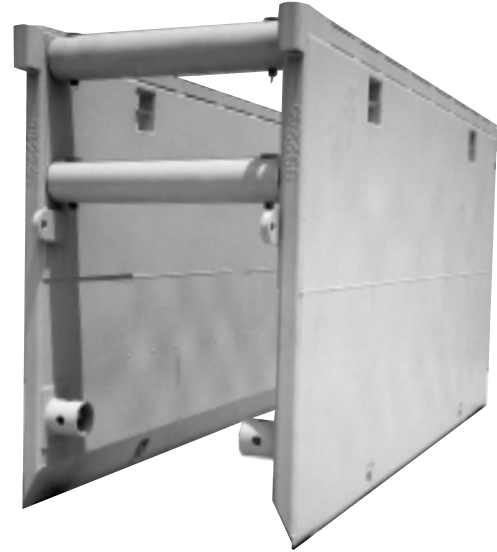
MODEL	DIMENSIONS		PIPE CLEARANCE (In.)	WEIGHT (Lbs.)	SHIELD CAPACITY (Psf)	ALLOWABLE DEPTH (Ft.) by soil type **			
	H (Ft.)	L				A	B	C(60)	C
TS-0408-DW4	4	8	20	2430	5540	50	50	50	50
TS-0410-DW4	4	10	20	2780	3390	50	50	50	43
TS-0412-DW4	4	12	20	3150	2280	50	50	38	29
TS-0416-DW4	4	16	20	3730	1230	47	27	21	16
TS-0420-DW4	4	20	20	4420	770	29	17	13	10
TS-0608-DW4	6	8	42	3300	4330	50	50	50	50
TS-0610-DW4	6	10	42	3840	3420	50	50	50	45
TS-0612-DW4	6	12	42	4320	2310	50	50	40	31
TS-0616-DW4	6	16	42	5785	1250	49	29	22	17
TS-0620-DW4	6	20	42	7435	880	34	20	16	13
TS-0808-DW4	8	8	62	4220	2100	50	48	37	29
TS-0810-DW4	8	10	62	4435	1680	50	39	30	24
TS-0812-DW4	8	12	62	5200	1400	50	33	26	21
TS-0816-DW4	8	16	62	7350	1250	50	30	24	19
TS-0820-DW4	8	20	62	9550	900	36	22	18	14

## 6" Double-Wall

MODEL	DIMENSIONS		PIPE CLEARANCE (In.)	WEIGHT (Lbs.)	SHIELD CAPACITY (Psf)	ALLOWABLE DEPTH (Ft.) by soil type **			
	H (Ft.)	L				A	B	C(60)	C
TS-0412-DW6	4	12	20	3720	3680	50	50	50	47
TS-0416-DW6	4	16	20	4590	1990	50	44	34	26
TS-0420-DW6	4	20	20	5240	1250	48	28	22	17
TS-0424-DW6	4	24	20	6300	850	32	19	15	12
TS-0428-DW6	4	24	20	7230	620	23	14	11	9
TS-0612-DW6	6	12	42	5465	3690	50	50	50	48
TS-0616-DW6	6	16	42	6610	2000	50	50	35	27
TS-0620-DW6	6	20	42	8370	1250	49	29	23	18
TS-0624-DW6	6	24	42	9540	950	37	22	18	14
TS-0628-DW6	6	28	42	11540	740	29	17	15	11
TS-0812-DW6	8	12	65	6880	2030	50	47	36	28
TS-0816-DW6	8	16	65	8525	2000	50	46	36	28
TS-0820-DW6	8	20	65	9980	1250	50	30	24	19
TS-0824-DW6	8	24	65	12400	960	38	24	19	15
TS-0828-DW6	8	28	65	15650	790	32	20	16	13
TS-1012-DW6	10	12	86	8410	1600	50	38	30	24
TS-1016-DW6	10	16	86	10560	1200	49	31	24	19
TS-1020-DW6	10	20	86	12540	960	40	25	20	16
TS-1024-DW6	10	24	86	15035	860	35	22	18	15
TS-1028-DW6	10	28	86	19880	770	32	20	16	13

## 8" Double-Wall

MODEL	DIMENSIONS		PIPE CLEARANCE (In.)	WEIGHT (Lbs.)	SHIELD CAPACITY (Psf)	ALLOWABLE DEPTH (Ft.) by soil type **			
	H (Ft.)	L				A	B	C(60)	C
TS-0420-DW8	4	20	20	6450	1800	50	40	30	24
TS-0424-DW8	4	24	20	7460	1230	47	27	21	17
TS-0428-DW8	4	28	20	8600	900	34	20	16	12
TS-0432-DW8	4	32	20	9460	680	26	15	12	10
TS-0620-DW8	6	20	42	9360	1790	50	41	31	24
TS-0624-DW8	6	24	42	10750	1220	48	28	22	17
TS-0628-DW8	6	28	42	13395	1080	48	28	22	17
TS-0632-DW8	6	32	42	14760	860	36	22	18	15
TS-0820-DW8	8	20	65	11950	1780	50	41	32	25
TS-0824-DW8	8	24	65	13260	1220	49	29	24	19
TS-0828-DW8	8	28	65	16670	1270	50	30	24	19
TS-0832-DW8	8	32	65	21890	960	39	24	19	15
TS-1020-DW8	10	20	86	14420	1320	50	33	26	21
TS-1024-DW8	10	24	86	16390	1100	47	28	22	18
TS-1028-DW8	10	28	86	18700	920	37	23	19	16
TS-1032-DW8	10	32	86	24490	870	36	22	18	15



## Spreader Sets\*

MODEL	DESCRIPTION	WEIGHT (Lbs.)
SPR8-024	24" (2') Spreaders	350
SPR8-030	30" (2.5') Spreaders	430
SPR8-036	36" (3') Spreaders	520
SPR8-042	42" (3.5') Spreaders	610
SPR8-048	48" (4') Spreaders	695
SPR8-054	54" (4.5') Spreaders	780
SPR8-060	60" (5') Spreaders	870
SPR8-072	72" (6') Spreaders	1040
SPR8-084	84" (7') Spreaders	1215
SPR8-096	96" (8') Spreaders	1390
SPR8-108	108" (9') Spreaders	1560
SPR8-120	120" (10') Spreaders	1736
SPR8-132	132" (11') Spreaders	1910
SPR8-144	144" (12') Spreaders	2085
SPR8-156	156" (13') Spreaders	2255
SPR8-168	168" (14') Spreaders	2430
SPR8-180	180" (15') Spreaders	2600

\* Includes 4 spreaders per set.

Psf = Pounds per square foot.

\*\* Prior to use, refer to OSHA's 29 CFR, Part 1926 (subpart P) and Manufacturer's Tabulated Data for detailed explanation of soil types and product application. Type A soil not to exceed 25 Psf per foot of depth; Type B soil not to exceed 45 Psf per foot of depth; Type C(60) soil not to exceed 60 Psf per foot of depth; Type C soil not to exceed 80 Psf per foot of depth.

Note: Allowable depths are limited to 50 feet for practical purposes. Contact Speed Shore for applications exceeding posted allowable depths.

# Single-Wall Trench Shields

## 3" Economy Single-Wall

MODEL	DIMENSIONS		PIPE CLEARANCE (In.)	WEIGHT (Lbs.)	SHIELD CAPACITY (Psf.)	ALLOWABLE DEPTH (Ft.) by soil type **			
	H (Ft.)	L				A	B	C(60)	C
TS-0406-SW3	4	6	22	935	1700	50	38	29	22
TS-0408-SW3	4	8	22	1150	910	35	20	16	18
TS-0410-SW3	4	10	22	1395	570	21	13	10	8
TS-0412-SW3	4	12	22	1760	510	19	12	9	8
TS-0606-SW3	6	6	34	1305	1200	47	28	22	17
TS-0608-SW3	6	8	34	1655	820	32	19	15	12
TS-0610-SW3	6	10	34	1965	510	20	13	10	9
TS-0612-SW3	6	12	34	2415	430	17	11	9	8
TS-0806-SW3	8	6	46	1665	750	30	19	15	13
TS-0808-SW3	8	8	46	2055	560	23	15	12	10
TS-0810-SW3	8	10	46	2520	450	18	12	10	9
TS-0812-SW3	8	12	46	3060	380	16	11	9	8

3" Single-Wall Shields are of tubular construction. Heavy-Duty Stacking Sockets and Pulling Eyes are optional.

Psf = Pounds per square foot.

\*\* Prior to use, refer to OSHA's 29 CFR, Part 1926 (subpart P) and Manufacturer's Tabulated Data for detailed explanation of soil types and product application. Type A soil not exceed 25 Psf per foot of depth; Type B soil not to exceed 45 Psf per foot of depth; Type C(60) soil not to exceed 60 Psf per foot of depth; Type C soil not to exceed 80 Psf per foot of depth.

Note: Allowable depths are limited to 50 feet for practical purposes. Contact Speed Shore for applications exceeding posted allowable depths.

## 4" Heavy-Duty Single-Wall

MODEL	DIMENSIONS		PIPE CLEARANCE (In.)	WEIGHT (Lbs.)	SHIELD CAPACITY (Psf.)	ALLOWABLE DEPTH (Ft.) by soil type **			
	H (Ft.)	L				A	B	C(60)	C
TS-0406-SW4H	4	6	22	995	2840	50	50	48	37
TS-0408-SW4H	4	8	22	1230	1525	50	34	26	20
TS-0410-SW4H	4	10	22	1510	950	37	21	17	13
TS-0412-SW4H	4	12	22	1840	650	24	15	12	9
TS-0414-SW4H	4	14	22	2220	675	25	15	12	10
TS-0416-SW4H	4	16	22	2780	650	24	15	12	9
TS-0606-SW4H	6	6	36	1545	2080	50	48	37	28
TS-0608-SW4H	6	8	36	1875	1525	50	35	27	21
TS-0610-SW4H	6	10	36	2280	950	38	22	18	14
TS-0612-SW4H	6	12	36	2740	650	25	16	13	10
TS-0614-SW4H	6	14	36	3195	600	24	15	12	10
TS-0616-SW4H	6	16	36	3565	460	18	11	9	8
TS-0806-SW4H	8	6	46	1980	1300	50	31	25	19
TS-0808-SW4H	8	8	46	2410	980	40	24	19	15
TS-0810-SW4H	8	10	46	2940	780	32	20	16	13
TS-0812-SW4H	8	12	46	3450	650	26	17	14	11
TS-0814-SW4H	8	14	46	4055	560	23	15	12	10
TS-0816-SW4H	8	16	46	4645	430	18	12	10	9

4" Single-Wall Shields are constructed with Speed Shore's exclusive slope-faced structural design, and include Stacking Sockets and Pulling Eyes.

Psf = Pounds per square foot.

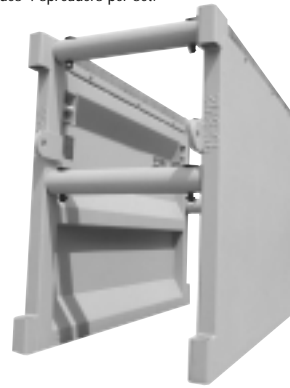
\*\* Prior to use, refer to OSHA's 29 CFR, Part 1926 (subpart P) and Manufacturer's Tabulated Data for detailed explanation of soil types and product application. Type A soil not exceed 25 Psf per foot of depth; Type B soil not to exceed 45 Psf per foot of depth; Type C(60) soil not to exceed 60 Psf per foot of depth; Type C soil not to exceed 80 Psf per foot of depth.

Note: Allowable depths are limited to 50 feet for practical purposes. Contact Speed Shore for applications exceeding posted allowable depths.

## Spreader Sets\*

MODEL NO.	DESCRIPTION	WEIGHT (Lbs.)
SPR4-024	24" (2') Spreaders	90
SPR4-030	30" (2.5') Spreaders	110
SPR4-036	36" (3') Spreaders	130
SPR4-042	42" (3.5') Spreaders	150
SPR4-048	48" (4') Spreaders	175
SPR4-054	54" (4.5') Spreaders	195
SPR4-060	60" (5') Spreaders	215
SPR4-072	72" (6') Spreaders	260
SPR4-084	84" (7') Spreaders	300
SPR4-096	96" (8') Spreaders	345

\*Includes 4 spreaders per set.



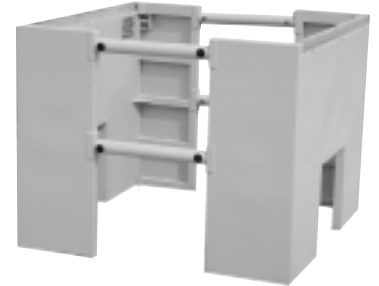
## Spreader Sets\*

MODEL	DESCRIPTION	WEIGHT (Lbs.)
SPR5-024	30" (2') Spreaders	165
SPR5-036	36" (3') Spreaders	250
SPR5-048	48" (4') Spreaders	330
SPR5-060	60" (5') Spreaders	415
SPR5-072	72" (6') Spreaders	500
SPR5-084	84" (7') Spreaders	580
SPR5-096	96" (8') Spreaders	665
SPR5-102	102" (9') Spreaders	750
SPR5-120	120" (10') Spreaders	830
SPR5-132	132" (11') Spreaders	915
SPR5-144	144" (12') Spreaders	995
SPR5-156	156" (13') Spreaders	1081
SPR5-168	168" (14') Spreaders	1164
SPR5-180	180" (15') Spreaders	1247

\*Includes 4 spreaders per set

# M anhole Shields

Designed for manhole installations with optional cutouts for incoming utilities. Available in both single-wall and double-wall configurations to match the depth and capacities of your particular job requirement.



MODEL	DIMENSIONS		PIPE CLEARANCE (In.)	WEIGHT (Lbs.)	SHIELD CAPACITY (Psf)	ALLOWABLE DEPTH (Ft.) by soil type **			
	H (Ft.)	L				A	B	C(60)	C
<b>Single-Wall</b>									
MHS-0808-SW	8	8	45	3590	1200	49	29	24	19
MHS-0810-SW	8	10	45	4650	750	32	20	15	13
MHS-0812-SW	8	12	45	5555	520	22	14	11	10
<b>Double-Wall</b>									
MHS-0808-DW	8	8	45	4115	2000	50	47	36	29
MHS-0810-DW	8	10	45	5336	1750	50	41	32	25
MHS-0812-DW	8	12	45	6431	1200	49	29	24	19
<b>Double-Wall W/Replaceable Cut-Outs*</b>									
MHS-0808-RC	8	8	45	4295	2000	50	47	36	29
MHS-0810-RC	8	10	45	5470	1750	50	41	32	25
MHS-0812-RC	8	12	45	6585	1200	49	29	24	19

Psf = Pounds per square foot.

\* MHS-0808-RC cut-outs are 36" X 36" / MHS-0810-RC cut-outs are 40" X 40" / MHS-0812-RC cut-outs are 42" X 42"

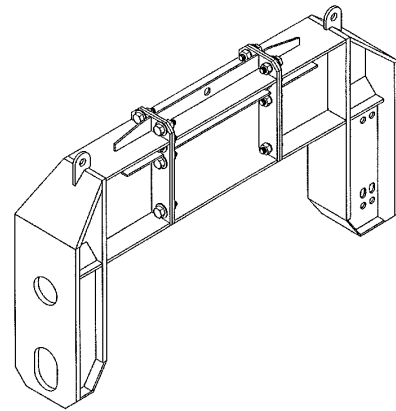
\*\* Prior to use, refer to OSHA's 29 CFR, Part 1926 (subpart P) and Manufacturer's Tabulated Data for detailed explanation of soil types and product application. Type A soil not to exceed 25 Psf per foot of depth; Type B soil not to exceed 45 Psf per foot of depth; Type C(60) soil not to exceed 60 Psf per foot of depth; Type C soil not to exceed 80 Psf per foot of depth.

Note: Allowable depths are limited to 50 feet for practical purposes. Contact Speed Shore for applications exceeding posted allowable depths.



# Arch Spreaders

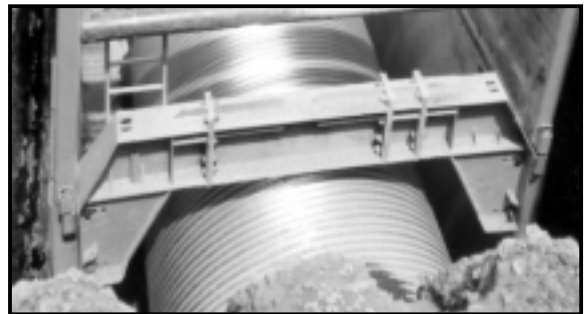
Designed for bore-pits and large-diameter pipe clearance, Speed Shore's Arch Spreaders are quick and easy to install. Available with a full range of bolt-on extensions, they simply pin in place on the standard double-wall shields to provide for exceptionally high clearances.



MODEL	DESCRIPTION	WEIGHT (Lbs.)
TS-ARCH	Basic Arch Spreader	2290
TS-ARCH-EXT01	1' Extension	150
TS-ARCH-EXT02	2' Extension	255
TS-ARCH-EXT03	3' Extension	360
TS-ARCH-EXT04	4' Extension	465
TS-ARCH-EXT05	5' Extension	565
TS-ARCH-EXT06	6' Extension	670
TS-ARCH-EXT07	7' Extension	775
TS-ARCH-EXT08	8' Extension	880
TS-ARCH-EXT09	9' Extension	985
TS-ARCH-EXT10	10' Extension	1085

The standard Arch Spreader is designed for use with 6', 8', and 10' high Speed Shore Shields.

The basic Arch Spreader will produce a 6' span between the inside walls of the shield. Extensions are available in 1' increments.



## Pioneer of the World's Most Advanced Trench Safety Systems



Shoring Shields\*

Vertical Shores

Waler Systems

Excavation Braces

Modular Alum. Panel Systems

Aluminum Trench Shields

Steel Trench Shields

Manhole Shields

Manguard\* Shields

Slide-Rail Systems

Mega-Shore\* Systems

Bedding Boxes

**SPEED SHORE®**  
PIONEERING TRENCH SAFETY

3330 S. SAM HOUSTON PKWY E. ■ HOUSTON, TEXAS 77047  
(713) 943-0750 ■ FAX (713) 943-8483 ■ USA TOLL FREE: 1-800-231-6662  
[www.speedshore.com](http://www.speedshore.com)

Authorized Distributor